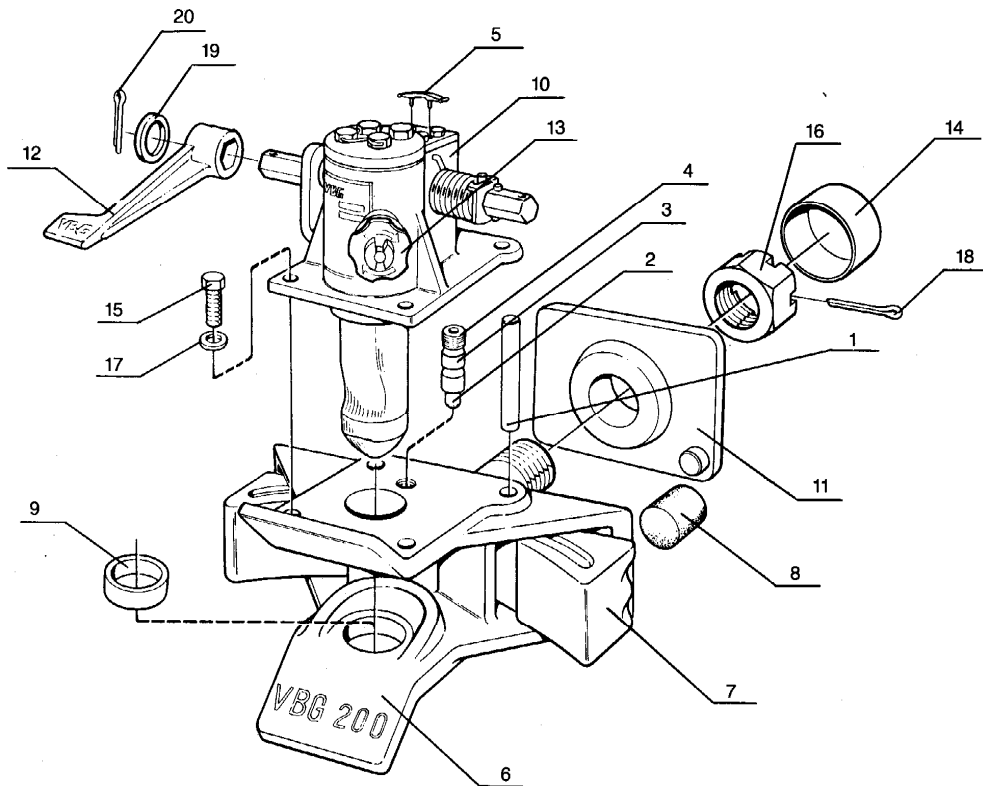


# Barry Stoodley Pty Ltd

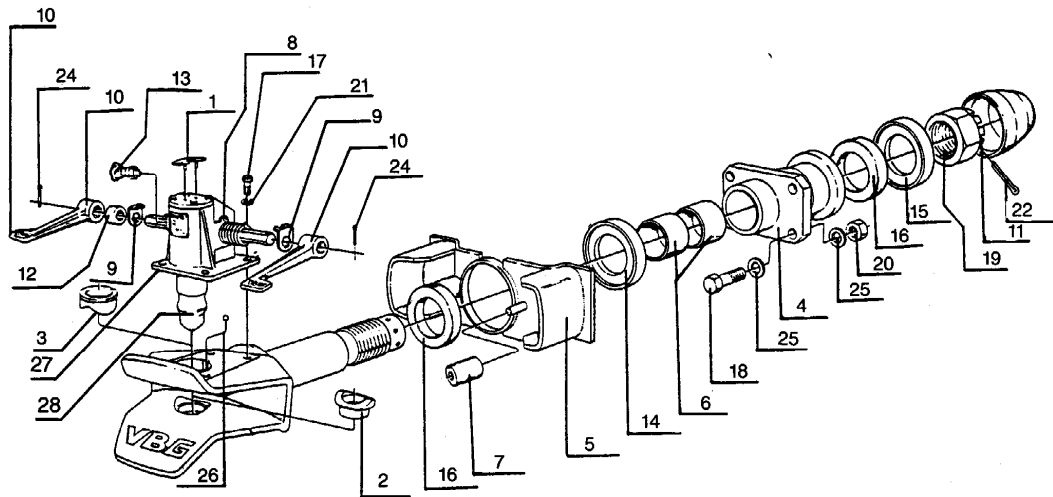
## VBG 200



ITEM	VBG PART No.	QTY	DESCRIPTION
1	3405-209	2	Axle for Steering Block
2	3405-211	1	Peg
3	3405-212	1	Rubber
4	3405-213	1	Grub Screw
5	3405-235	1	Plastic Plug
6	3405-242	1	Jaw inc. Steering Blocks & Nut
7	3405-248	2	Steering Block
8	3405-249	2	Bumper
9	3405-262	1	Lower Lip Bushing
10	3405-288	1	Renovated Mechanism inc.
11	3405-410	1	Main Washer
12	3405-790	1	Handle
13	3406-920	1	Locking Device and Indication Pin
14	3407-125	1	Nut Cover
15	3435-205	4	Screw
16	3436-120	1	Castellated Nut
17	3437-012	4	Washer
18	3437-121	1	Split Pin
19	3437-126	1	Washer
20	3437-140	1	Split Pin

# Barry Stoodley Pty Ltd

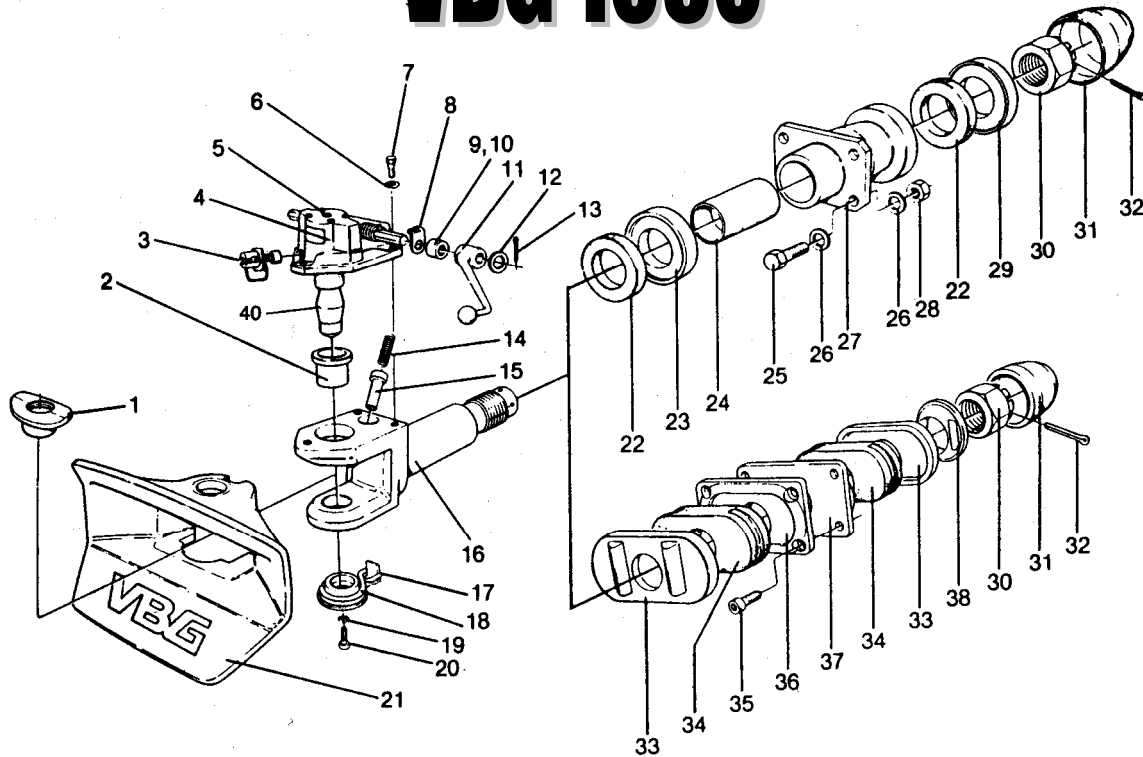
## VBG 623



ITEM	VBG PART No.	QTY	DESCRIPTION
1	3405-235	2	Plastic Plug
2	3405-610	1	Jaw Bushing, Lower
3	3405-632	1	Jaw Bushing, Upper
4	3405-674	1	Drawbeam Sleeve incl. Bushings
5	3405-685	1	Jack-Knifing Stop
6	3405-689	2	Bushing, Nylon
7	3405-691	2	Rubber Damper
8	3405-697	1	Renovated Mechanism
9	3405-788	2	Spring Mounting
10	3405-790	2	Handle
11	3405-777	1	Nut Cover
12	3405-799	1	Bushing
13	3406-920	1	Locking Device and Indication Pin
14	3409-010	1	Bearing Plate, Outer
15	3409-011	1	Bearing Plate, Inner
16	3409-012	2	Rubber Bearing
17	3435-205	4	Screw
18	3435-638	4	Screw
19	3436-013	1	Castellated Nut
20	3436-134	4	Nyloc Nut
21	3437-012	4	Washer
22	3437-121	1	Split Pin
23	3437-126	2	Washer
24	3437-140	2	Split Pin
25	3437-191	8	Washer
26	3437-606	1	Ball
27		1	Mechanism Assy
28		1	Coupling Pin

# Barry Stoodley Pty Ltd

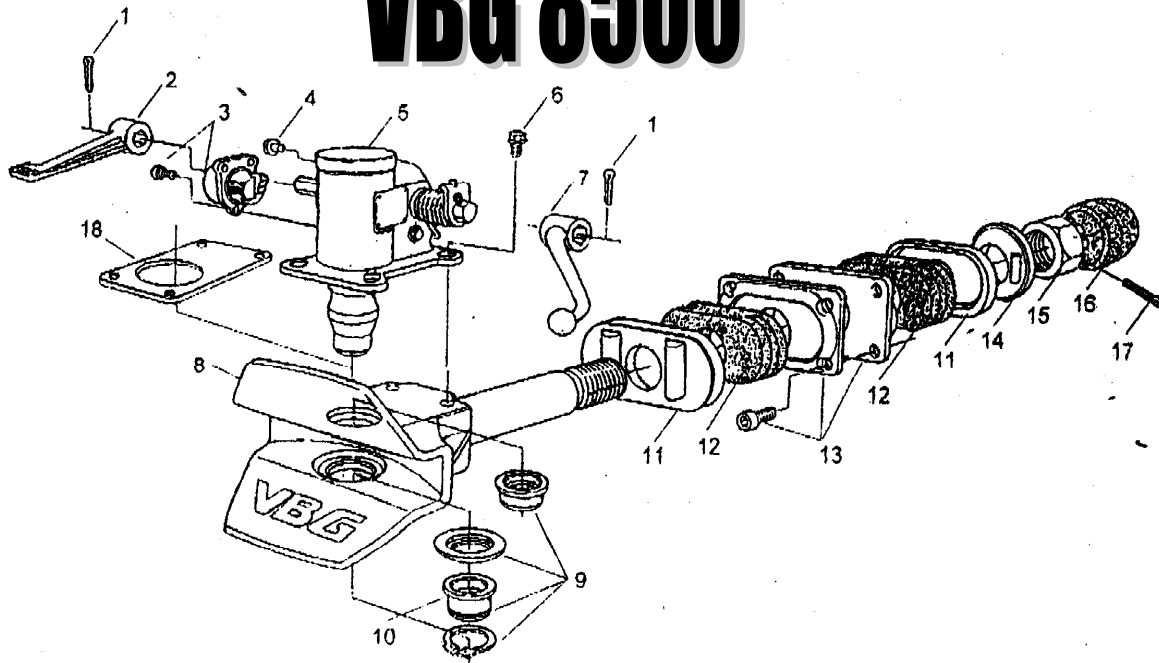
## VBG 1050



ITEM	VBG PART No.	QTY	DESCRIPTION	ITEM	VBG PART No.	QTY	DESCRIPTION
1	09-021200	1	Lower Jaw Bushing inc. Bolts	16	09-022100	1	Coupling Jaw VBG 1050
2	09-002300	1	Upper Jaw Bushing		09-023100		Coupling Jaw VBG 1750
3	09-021400	1	Locking Device	17	09-020700	1	Spring Bracket
	09-021800		Handle Only	18	09-020800	1	Torsion Spring
4	09-023900	1	Mechanism, Assy. Incl. Lower Jaw Bushing and Fitting Bolts	19	37-000300	2	Washer 8, 4 x 16
5	09-012000	1	Cover	20	35-022400	2	Bolt M8 x 30
	05-064600		Plastic Plug	21	09-020300	1	Guiding Funnel
6	37-001200	3	Washer 13 x 24	22	09-001200	2	Rubber Bearing
7	35-003200	3	Bolt M12 x 30	23	09-001000	1	Outer Bearing Plate
8	05-078800	2	Spring Bracket	24	05-063300	1	Bushing
9	05-079100	6	Bushing	25	35-063800	4	Bolt M20 x 90
10	05-079900	1	Bushing	26	37-019100	8	Washer 21 x 36
11	06-090800	1	Handle	27	05-067400	1	Draw beam Sleeve incl. Bushing
12	37-012600	1	Washer	28	36-013400	4	Nyloc Nut M20
13	37-014000	1	Split Pin 5 x 32	29	09-001100	1	Inner Bearing Plate
14	09-002100	1	Spring	30	36-001300	1	Castellated Nut
15	09-020900	1	Lock Plunger	31	05-077700	1	Nut Cover
				32	37-012100	1	Split Pin 7 x 80
				40	09-025200	1	Coupling Pin

# Barry Stoodley Pty Ltd

## VBG 8500



ITEM	VBG PART No.	QTY	DESCRIPTION
1	37-014000	2	Split Pin
2	05-079000	1	Handle
3	07-020500	1	Indicator & Locking device
4	37-062900	1	Plastic Plug
5	08-009500	1	Mechanism VBG8500 L
	08-009600	1	Mechanism VBG8500 R
6	07-051400	1	Mechanism Bolts
7	06-090800		Handle
8	08-016600	1	Coupling Jaw VBG8500
9	08-009800	1	Bushing Kit
			VBG 820/821/8005
	08-009900		Bushing Kit VBG 8500/KRZ500
10	08-008400	1	Lower Jaw Bushing
			VBG 820/821/8005
	08-008700		Lower Jaw Bushing
			VBG 8500/KRZ500
11	05-070900	2	Bearing Plate
12	05-070800		Rubber Block
13	05-075300	1	Bearing Plate (pair)& 4 screws
14	05-076600	1	Washer
15	36-001300	1	Castellated Nut
16	05-077700	1	Nut Cover
17	37-012100	1	Split Pin
18	08-009700	1	Spacer